



BACH I5 8365UE

FANLESS IPC

- Intel® Core i5 8365UE 4-core 8-Thread
1.6 GHz (Base) / 4.1 GHz (Turbo), 15W
- 2x DDR4 2400 MHz up to 32 GB RAM
- Extended power supply range from 9V to 24V
- 2x LAN Intel® Gigabit Ethernet
- 2x 4K Video interface (HDMI - DP)



MAINBOARD

CPU: Intel® Core i5 8365UE
4 Core / 8 Thread
1.6 GHz (Base) / 4.1GHz (Turbo) 15W

MEMORY

Capacity: up to 32GB
Frequency: 2400 MHz
Type: 2x SO-DIMM DDR4

STORAGE

SATA: 1x SATA3
mSATA: 1x M.2 M-Key (2242/2260/2280)
Support PCIe x4 (NVMe) & SATA
Storage Bay: 1x Internal 2.5" SSD Bay

I/O INTERFACE

Serial ports: 1x COM RS232/422/485
3x COM RS232
USB ports: 4x USB 3.1,
2x USB 2.0,
1x USB Type C (3.1 Gen 2)
(Only for DATA)
Mini-PCIe: 1x M.2 E-Key (2230)
CNVi WIFI module (Standard)
AUDIO: 1x Headphone Jack,
1x MIC Jack
1x Line-out Jack
Optional: 1x COM or GPIO

VIDEO

GPU: Intel® HD 620 Graphics
Interface: 1x HDMI 1.4 (Up to 4096x2304 @30Hz)
1x DP 1.2 (Up to 4096x2304 @60Hz)

ETHERNET

LAN: 1x Intel i219LM PHY Gigabit LAN
(iAMT 11.0)
1x Intel i211AT Gigabit LAN

POWER

Power in: 9 to 24V, DC-in
Power consumption: 60W max
Adapter: AC_90~240V / DC_12V_5A/60W

MECHANICAL

Material: Lightweight aluminum alloy
with extruded aluminum IO panel
Dimensions: (W)193x(D)142.4x(H)62mm
Weight: 2.2Kg
Mounting: WallMount + DIN Rail

ENVIRONMENT

Operating temp.: -20°C to 60°C
Storage temp.: -20°C to 70°C
Humidity: 40% to 60% Humidity, non-condensing
EMC: CE, FCC, RoHS, LVD

SARC ITALIA SRL

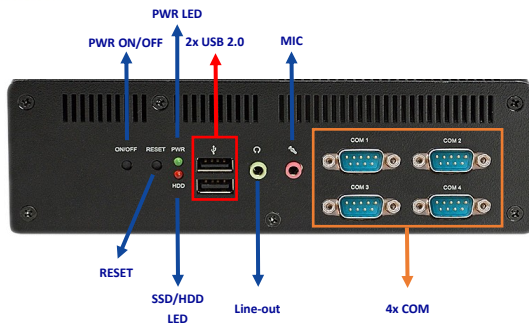
Strada Albareto, 503 - 41122 Modena - ITALY
Tel. +39 059 8751076 Fax. +39 059 8751025



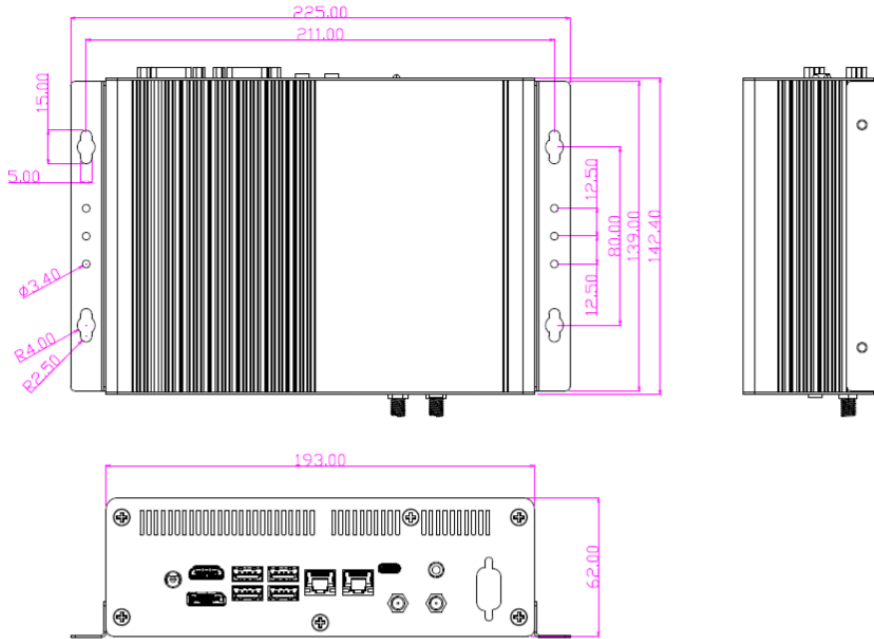
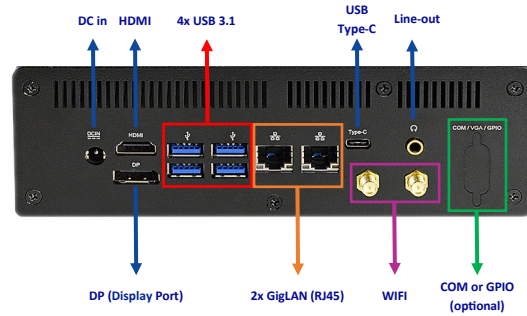
Website: www.sarcitalia.it

Email: info@sarcitalia.it

Front



Rear



Order Code:

B04 - **23C** - **BACH** - **I5 8365U** - **RXX** - **SSDXXX**

Accessories Included:

- WALL + DIN Rail Mount Kit
- Power Adapter 12V @60W + Power Cable
- Dual Band WiFi Antenna
- Screw pack

RAM	R08 (8 GB)
	R16 (16 GB)
	R32 (32 GB)

SSD (2,5")	M2D or SSD128
MSD (mSATA)	M2D or SSD256
M2D (M.2)	Other on Request

Compatible OS:

WINDOWS (64bit)		LINUX	
	Windows 10		CentOS 7
	Windows 10 Enterprise LTSC (IoT)		Debian 9.9
			Fedora 30.1.2
			Ubuntu 18.04
			pfSense 2.4.4
			Android x86 8.1_rc2